

Slimline Series

Model: Slimline V4



Temperature Range	05-35 °C 41-95 °F	Frost Protection	Y
White Back Lit Screen	Y	Networking Facility	N
Non-Programmable	Y	°C / °F Option	Y
5/2 Day Programming Mode	Y	Built In Sensor	Y
7 Day Programming Mode	Y	Remote Air Sensing Mode	Y
24 Hour Programming Mode	Y	Floor Sensing Mode	Y
Number of Heating Levels	4	Remote Probe Included	N
Optimum Start	Y	Max Switching Current	3A
Number of HW Times	4	Accuracy	+/- 1°C
Holiday Function	Y	Infrared Remote Control Option	N
Keylock Function	Y	Adjustable Switching Differential	Y
Temperature Hold Function	Y	Supply	230VAC
Temperature Override	Y	Rating	3A
Temperature Override Limit	Y	Installed Dimensions (L,H,D)	99 x 86 x 15mm
		Weight	195g

Feature Table

Thermostat

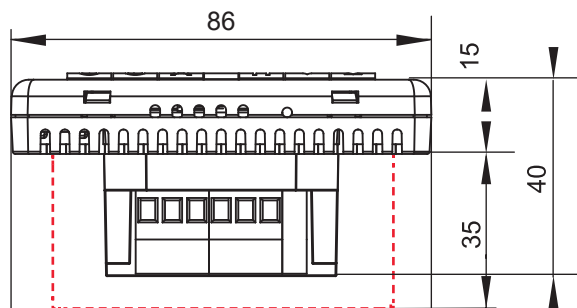
FEATURE	DESCRIPTION	SETTING
01	Temperature Format	00 = °C, 01 = °F (°C = Default)
02	Switching Differential	01° - 03°C (Default 01°C)
03	Frost Mode	00 = Enabled, 01 = Disabled (00 = Default)
04	Output Delay	00 - 15 Minutes (00 = Default)
05	Up/Down Temperature Limit	00° - 10°C (00 = Default)
06	Sensor Selection	00 = Built in Air Sensor 01 = Remote Air Sensor 02 = Floor Sensor Only 03 = Built In & Floor Sensor 04 = Remote Air & Floor Sensor
07	Floor Temperature Limit	20° - 45°C (27°C = Default)
08	Optimum Start	00 - 03 Hours (00 = Default)

FEATURE	DESCRIPTION	SETTING
09	Rate of Change	Minutes to raise by 1°C
10	Program Mode	00 = 5/2 Day 01 = 7-Day 02 = 24 Hours
11	Thermostat Mode	00 = Manual, 01 = Programmable (01 = Default)

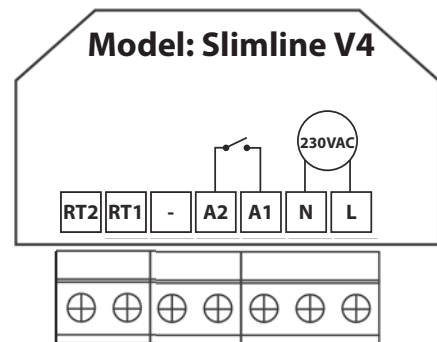
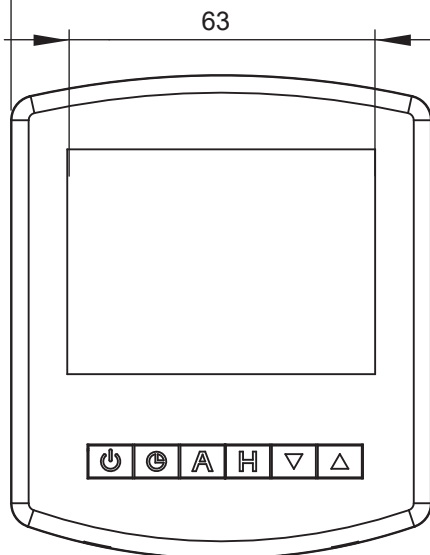
Time Clock

FEATURE	DESCRIPTION	SETTING
01	Program Mode	00 = 5/2day (default), 01 = 7day, 02 = 24 hours
02	Time Clock Mode	00 = Countdown, 01 = Programmable (Default)

Product Dimensions (mm) & Wiring Specification



Note: Fits standard 35mm depth back box



Wiring Detail

