

## Want More Information?

Call our support team on: +44 (0)1254 669090

Or view technical specifications directly on our website:  
[www.heatmiser.com](http://www.heatmiser.com)

### Heatmiser UK Ltd

Units 1-5 Hurstwood Court, Mercer Way  
Shadsworth Business Park, Blackburn,  
Lancashire, BB1 2QU, United Kingdom.



PDF



FAQ



VIDEO



Twitter: @heatmiseruk



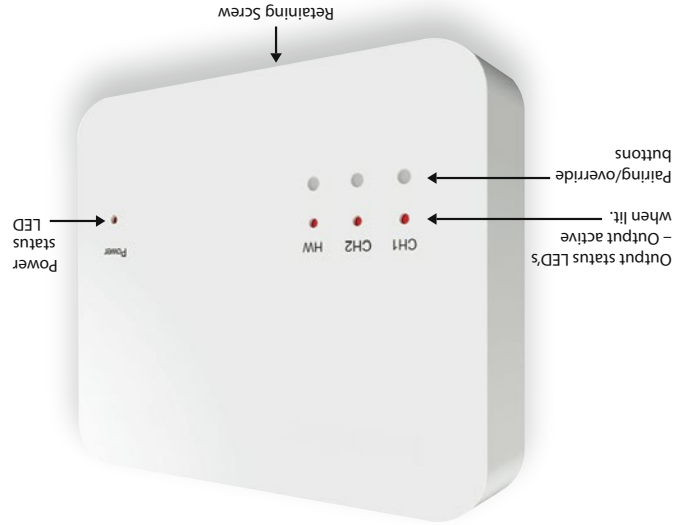
Facebook: facebook.com/thermostats

Rev 1.1

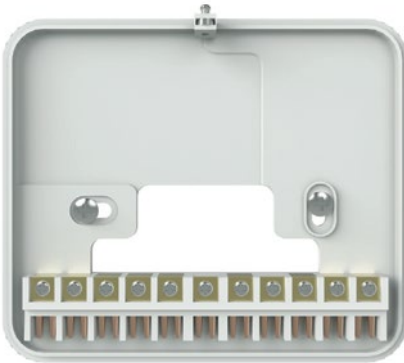


Model: RF-Switch V2

## 1 RF-Switch V2 - LED/button indication



## 2 Installing the RF-Switch V2



## 3 Overriding the outputs

To override an output on the RF-Switch V2, simply press the override button once, the output & LED will then be activated.

To override the output off, press the button once.

1. Using a small screwdriver, slightly loosen the screw located at the base of the RF-Switch. You can then carefully separate the front panel from the back plate.
2. Position the RF-Switch back plate on the wall, fixing into place using the screws provided.
3. Terminate the cables to the RF-Switch as shown in the wiring diagram (section 6).
4. Mount the front panel onto the back plate, tighten the retaining screw on the base.
5. Switch on the power supply, the power LED will illuminate.

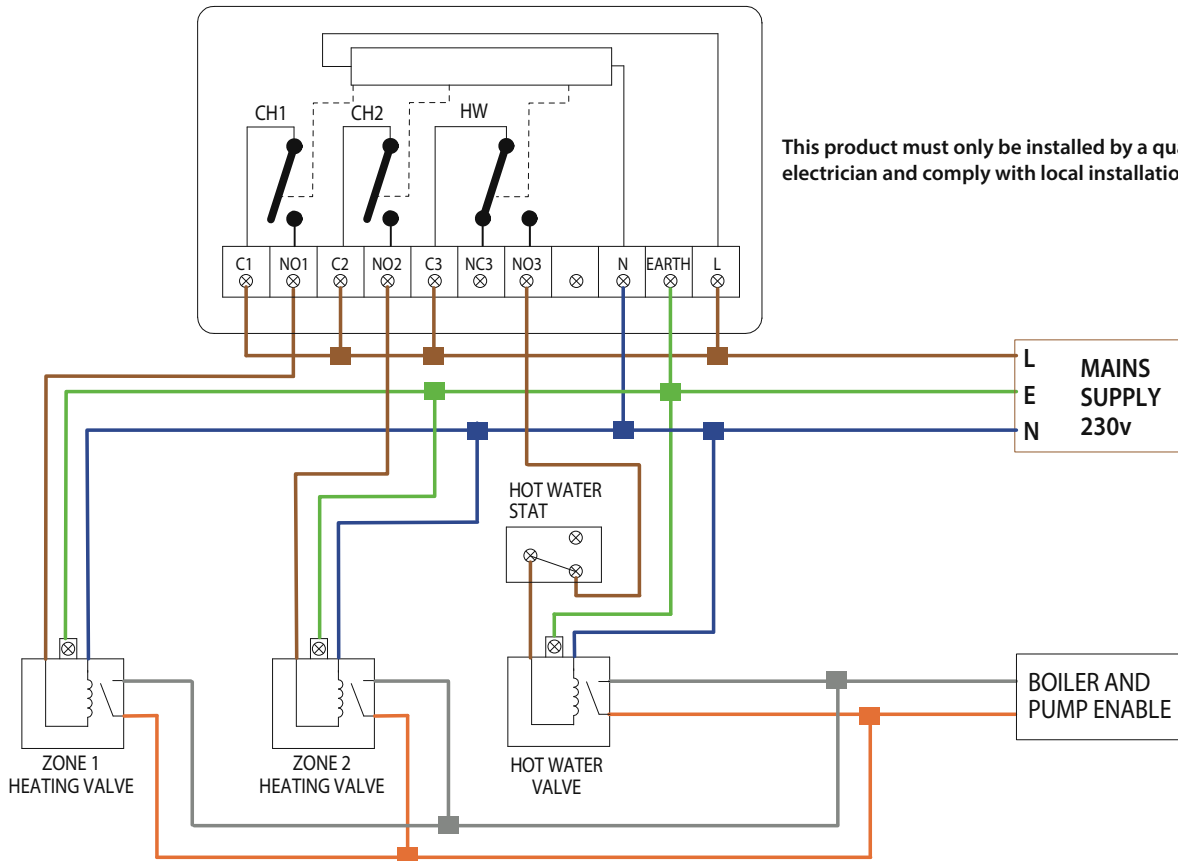
#### 4 Pairing the RF-Switch to the UH8-RF/UH8-RF V2

- On the RF-Switch, press and hold the CH1 pairing button for 5 seconds. The CH1 status LED will start to flash.
  - Press and release the pairing button on the UH8-RF.
- When the RF-Switch detects the pairing signal from the UH8-RF, the CH1 LED will stop flashing.

To pair your wireless thermostat to the RF-Switch, please refer to your wireless thermostat instruction manual.

When pairing a thermostat in combined heating/hotwater mode, you do not need to pair to the HW channel. This is done automatically when the stat is paired to either CH1 or CH2.

#### 6 RF-Switch Wiring Diagram (S Plan)



This product must only be installed by a qualified electrician and comply with local installation regulations.

#### 5 Channel Reset

To reset an output of the RF-Switch;

- Press and hold the pairing/override button of the desired channel for 15 seconds. During the button press you will see the LED flash steadily followed by a rapid flash. Once the LED has stopped blinking, the reset procedure is complete and will erase all devices paired to that channel..