

PRODUCT DATA SHEET

S8 Flipper Panel 275mm

Product Code: S8-FLIPPER



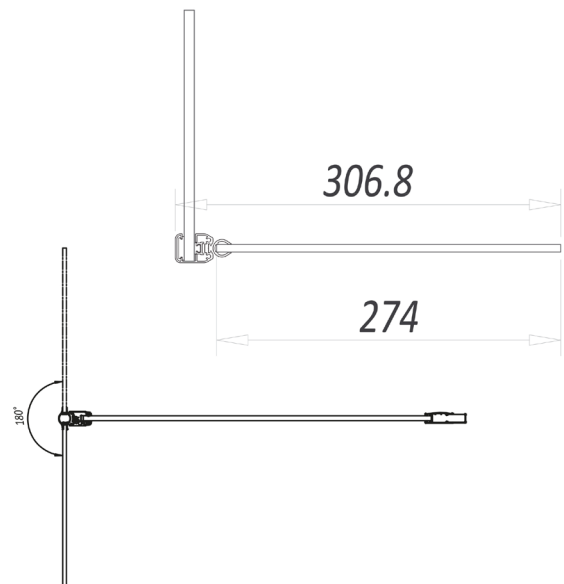
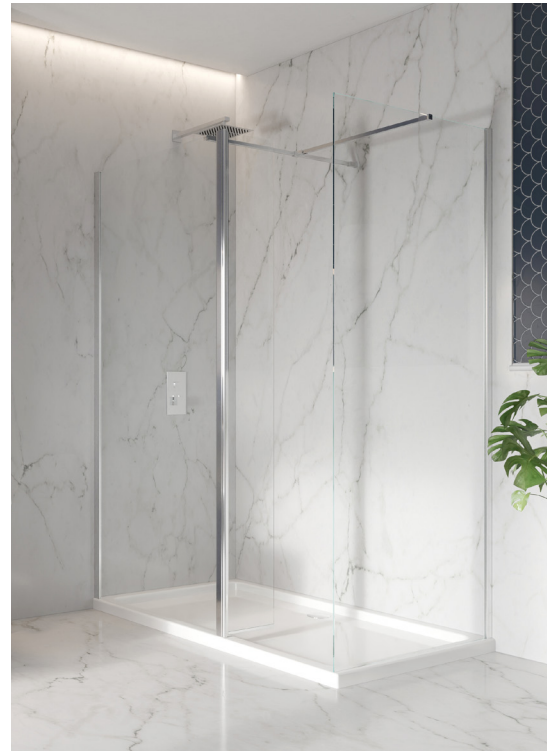
SCUDO
BEAUTIFUL BATHROOMS

0330 124 7290

sales@scudo.co.uk - www.scudo.co.uk

Scudo is the trading name of Harrison Bathrooms Ltd. Whilst we endeavour to ensure that the product information is accurate we accept no liability for any information given. All images are for illustration purposes only. Product images and specification are subject to change. Measurements are in millimetres and are nominal.

Product Measurements	
Product Weight:	8.5kg
Product Width:	275mm
Product Height:	2000mm
Product Depth:	54mm
Product Length:	N/A
Product Transportation	
Barcode:	5060766124179
Country of Origin:	China
Comodity Code:	7610909095
Primary Packed Measurements	
Packaged Weight:	10kg
Packaged Length:	2080mm
Packaged Width:	350mm
Packaged Height:	56mm
Packaging Weight	
Card:	1kg
Paper:	N/A
Wood:	N/A
Plastic:	0.5kg
General Information	
Construction Material:	Aluminium / Glass
Installation Type:	Wall Mounted
Colour / Finish:	Chrome / Clear Glass
Enclosure Attributes	
Adjustment:	275mm
Aqua-Shield:	Yes
Hinge Type:	Wet Wall Barrel Hinge Flipper
Door Type:	N/A
Frame Type:	Frameless
Glass Type:	Clear
Radius:	N/A
Entry Width:	N/A
Door In Swing:	90 Degrees
Door Out Swing:	90 Degrees
Enclosure Shape:	Straight
Glass Thickness:	8mm
Profile Finish/Colour:	Chrome
Profile Material:	Aluminium
Compliance DOP	
N/A	



Dimensions
(measurements in mm)



LIFETIME GUARANTEE

We are confident in our products and we want our customer to be, we proudly give a lifetime guarantee on our taps and showers, further details can be found on our website