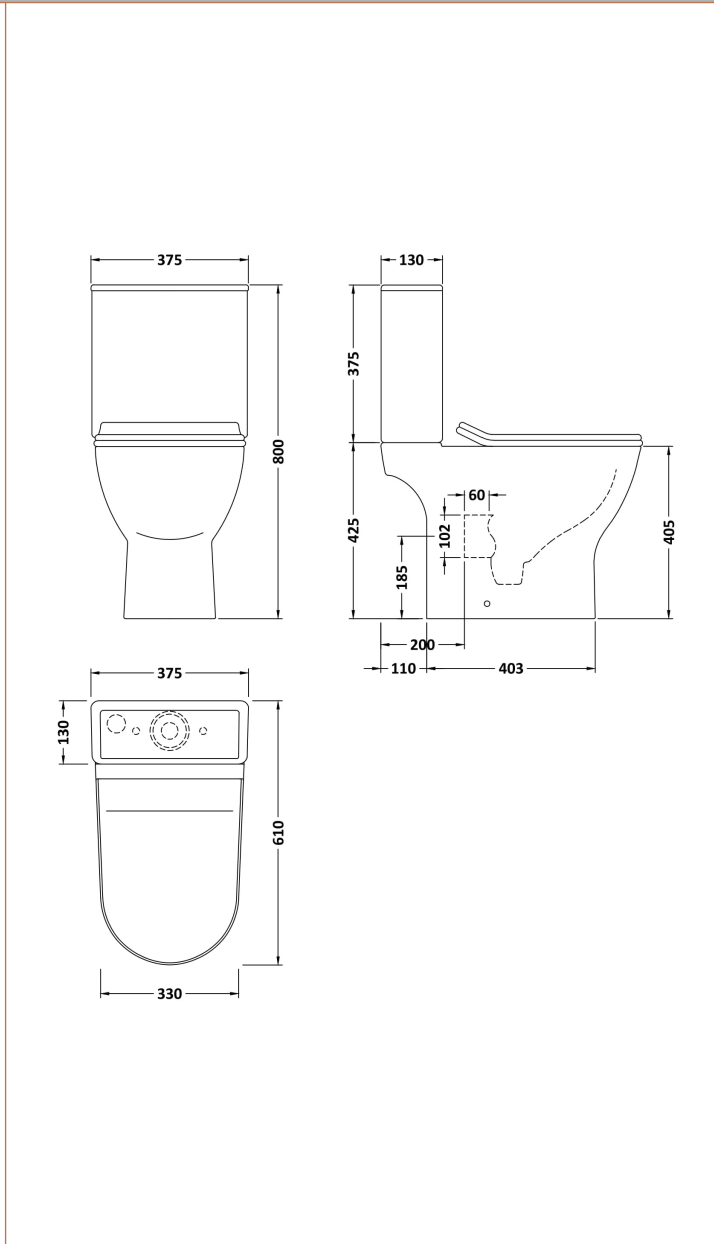


Sales Code: NCG350

Description: Freya Rimless Pan, Cistern & Pp Seat



Product Dimensions

Height (mm):	800
Width (mm):	375
Depth (mm):	610
Nett Weight (kg):	33.5

Packaging Dimensions

Height (mm):	435
Width (mm):	770
Depth (mm):	420
Gross Weight (kg):	34

Packaging Data

Box Colour:	Brown Cardboard Box - Printed
Box Qty:	1
Label Size:	100 x 50
Label Colour:	White Label
Label Qty:	2

Outer Box Dimensions (If Applicable)

Height (mm):	
Width (mm):	
Depth (mm):	
Gross Weight (kg):	
Barcode:	5056211868255

Product Details

Country of Origin:	China
Fitting Instruction:	No
Certification:	CE: Yes WRAS: N/A WRAS No: N/A
Product Material:	Vitreous China
Fixing Supplied:	Yes

Pans/Bidets:	Trap Style: P Trap	Includes Seat: Yes
---------------------	--------------------	--------------------

Seats:	Seat Type: Round	Material: Polypropylene
	Function: Soft Close	Hinge Type: Top Fix
	Hinge Material: Metal	

Cisterns:	Operating Type: Push Button	Fittings: Pre-Fitted 6/3L
	Lever Type: Plastic Chrome Platec	

Basins:	Tap Hole: Not Applicable	Chain Stay Hole: Not Applicable
	Template: Not Applicable	Waste Type Req: Not Applicable
	Overflow Inc: Not Applicable	Overflow Cover: Not Applicable
	Inner Bowl Depth (mm): N/A	