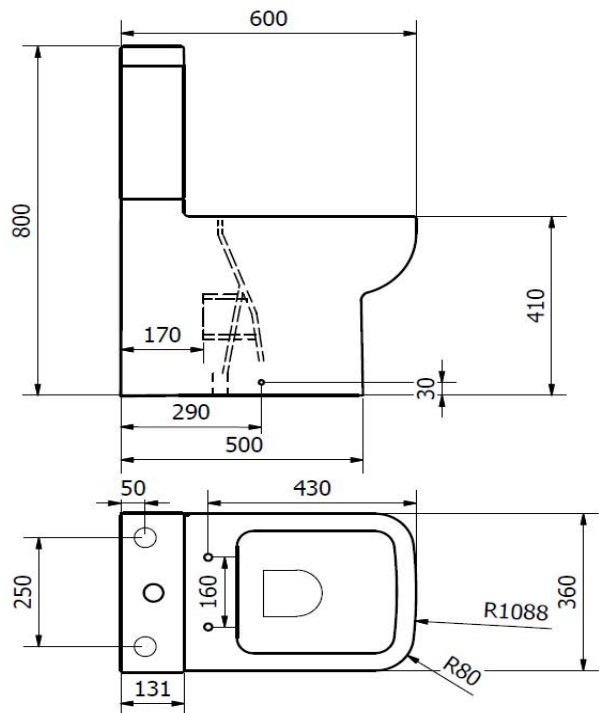
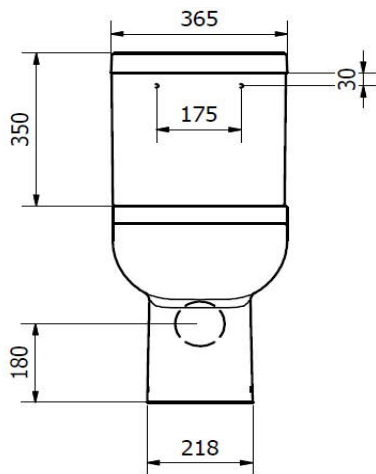


OPTIONS 600 CLOSE TO WALL PAN, SEAT & CISTERN
ILLUSTRATION: OPTIONS CLOSE TO WALL PAN & CISTERN
**CODE: C/C WC PAN - POT0700P
 C/C CISTERN - POT450SE
 SOFT CLOSE SEAT - POT0820P
 PREMIUM S/C SEAT - POT0840P**
COLOUR: WHITE


| WEIGHT: | WC PAN | CISTERN | SEAT | P SEAT |
|---------|---------|---------|--------|--------|
| NET: | 27.5 KG | 11 KG | 1.4 KG | 2.3 KG |
| GROSS: | 28.5 KG | 12 KG | 1.6 KG | 2.5 KG |

STANDARDS: BS EN 997 WCs
BS EN 14055:2010 FLUSHING CISTERNS
BS 3402

NOTES:
VITREOUS CHINA
WATER SAVING 6/4 LITRE FLUSH
SOFT CLOSE SEAT WITH QUICK RELEASE TOP FIX HINGE

BOX SIZES :- WC PAN = 390 X 490 X 640 mm / CISTERN = 1155 X 380 X 390 mm / SEAT = 450 X 370 X 55 mm

OPTIONS 600 BTW PAN & SEAT



ILLUSTRATION: OPTIONS BTW PAN

CODE: BTW PAN - POT0710P

SOFT CLOSE SEAT - POT0820P

PREMIUM S/C SEAT - POT0840P

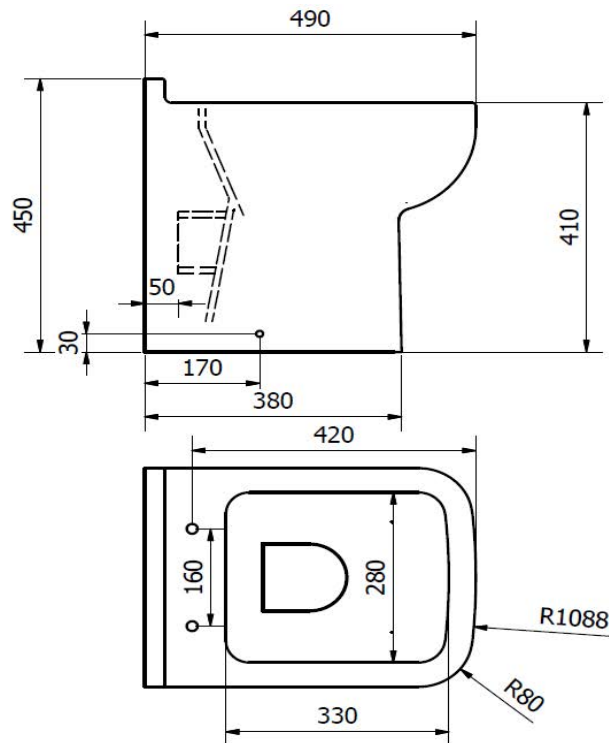
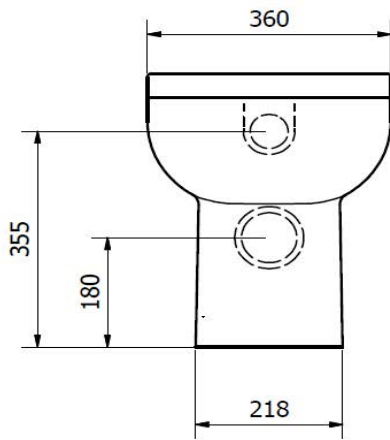
COLOUR: WHITE

| WEIGHT: | WC PAN | SEAT | P SEAT |
|---------|---------|--------|--------|
| NET: | 25.5 KG | 1.4 KG | 2.3 KG |
| GROSS: | 26.5 KG | 1.6 KG | 2.5 KG |

STANDARDS: BS EN 997 WCs
BS 3402



NOTES:
VITREOUS CHINA
WATER SAVING 6/4 LITRE FLUSH
SOFT CLOSE SEAT WITH QUICK RELEASE TOP FIX HINGE



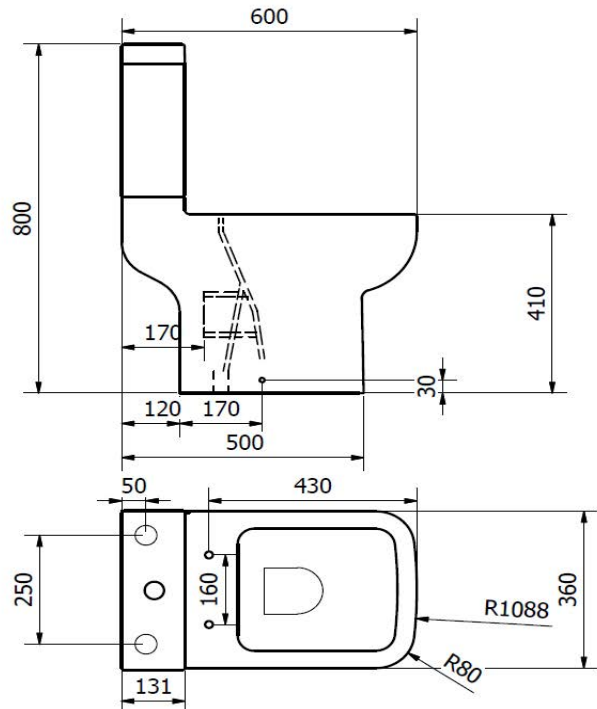
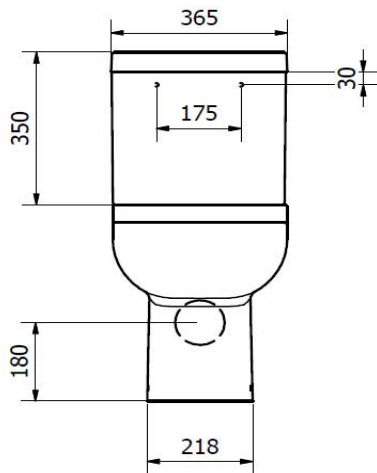
BOX SIZES :- WC PAN = 380 X 480 X 520 mm / SEAT = 450 X 370 X 55 mm

OPTIONS 600 C/C PAN, SEAT & CISTERN

ILLUSTRATION: OPTIONS C/C PAN & CISTERN
**CODE: C/C WC PAN - POT0800P
 C/C CISTERN - POT450SE
 SOFT CLOSE SEAT - POT0820P
 PREMIUM S/C SEAT - POT0840P**
COLOUR: WHITE

| WEIGHT: | WC PAN | CISTERN | SEAT | P SEAT |
|---------|---------|---------|--------|--------|
| NET: | 27.5 KG | 11 KG | 1.4 KG | 2.3 KG |
| GROSS: | 28.5 KG | 12 KG | 1.6 KG | 2.5 KG |

**STANDARDS: BS EN 997 WCs
 BS EN 14055:2010 FLUSHING CISTERNS
 BS 3402**

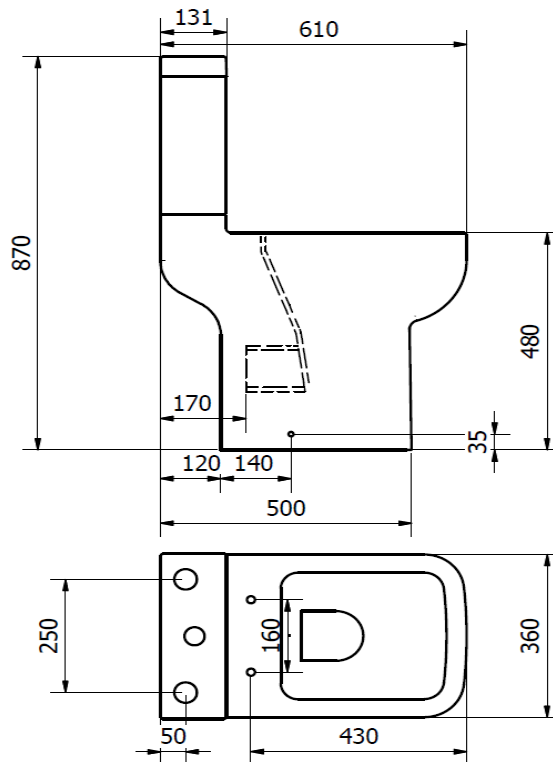
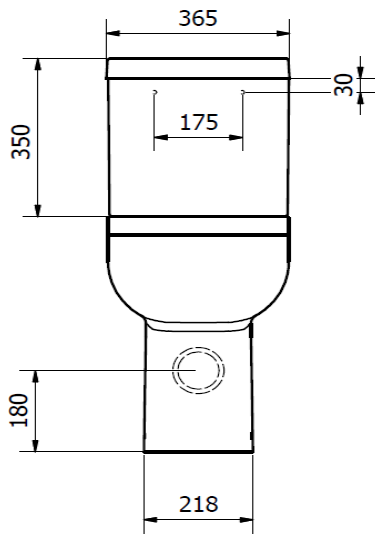
**NOTES:
 VITREOUS CHINA
 WATER SAVING 6/4 LITRE FLUSH
 SOFT CLOSE SEAT WITH QUICK RELEASE TOP FIX HINGE**

BOX SIZES :- WC PAN = 390 X 490 X 640 mm / CISTERN = 1155 X 380 X 390 mm / SEAT = 450 X 370 X 55 mm

OPTIONS 600 COMFORT HEIGHT PAN, SEAT & CISTERN

ILLUSTRATION: OPTIONS C/C PAN & CISTERN
**CODE: C/C WC PAN - POT089OP
 C/C CISTERN - POT450SE
 SOFT CLOSE SEAT - POT082OP
 PREMIUM S/C SEAT - POT084OP**
COLOUR: WHITE

| WEIGHT: | WC PAN | CISTERN | SEAT | P SEAT |
|---------|---------|---------|--------|--------|
| NET: | 33.5 KG | 11 KG | 1.4 KG | 2.3 KG |
| GROSS: | 35.0 KG | 12 KG | 1.6 KG | 2.5 KG |

STANDARDS: BS EN 997 WCs
BS EN 14055:2010 FLUSHING CISTERNS
BS 3402

NOTES:
VITREOUS CHINA
WATER SAVING 6/4 LITRE FLUSH
SOFT CLOSE SEAT WITH QUICK RELEASE TOP FIX HINGE

BOX SIZES :- WC PAN = 390 X 550 X 640 mm / CISTERN = 1155 X 380 X 390 mm / SEAT = 450 X 370 X 55 mm