

9125 BASIN TAPS



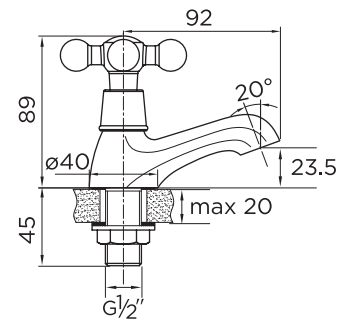
PRODUCT SPECIFICATION

Product Code: 9125
 Finish: Chrome
 Product Type: Basin Taps
 Inlet Connections: 1/2 BSP
 Construction: Body: Brass
 Handles: Zinc
 Gross Weight (kg): 0.80



ADDITIONAL INFORMATION

- Chromed finish
- Lifetime guarantee



WORKING PRESSURES (bar)

Min Pressure	Max Pressure	Best Performance
0.2	6	3

FLOW RATES (litres per minute)

0.5 Bar	1 Bar	3 Bar
3.7	7	11.7

