

portway

ADDITIONAL INFORMATION FOR PORTWAY DOUBLE-SIDED STOVES

To be read in conjunction with the standard Portway Stove INSTALLATION AND OPERATING INSTRUCTIONS



All Portway Stoves exceed the safety and performance requirements of European Standards Intermittent burning solid fuel roomheaters for installation with a single dedicated chimney.

This stove made for / doors etc fitted / colour ...

BFM Europe

BRITISH FIRE MANUFACTURERS

Trentham Lakes, Stoke on Trent,
Staffordshire,
England ST4 4TJ
www.bfm-europe.com
Tel 01782 339000 Fax 01782 339009

DOUBLE-SIDED STOVES

The Portway double-sided stoves use the same renown sturdy construction, precise air control, and clean efficient operation which have made Portway famous.

Any Portway stove door can be fitted on either side, and doors can be changed at any time. This gives a huge range of possible configurations, which are built to order.

TYPICAL PERFORMANCE

When burning wood logs:

Efficiency: 71%

Output: 6.4kW

CO Emissions (as at 13% O₂): 0.6%

Flue gas temperature: 340 °C

Conforms to EN 13240:2001+A2 2004. Individually-designed product certified under the provisions of s39 of Regulation (EU) no 305/2011.

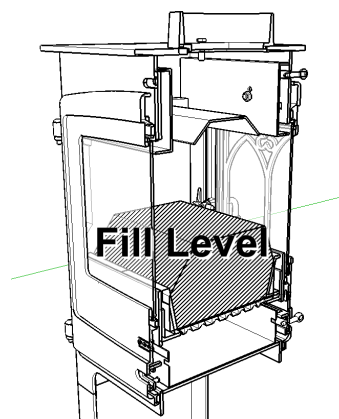
Exemption from UK Smoke Control does not apply to double-sided models.

ADDITIONAL FIXING REQUIREMENTS

Double-sided stoves are easily dislodged. Fix the stove to the hearth using the fixings and screws supplied.

Accessories including the BFM safe air supply kit, slot-in boilers, and canopy kits cannot be fitted to double-sided models.

ADDITIONAL USAGE REQUIREMENTS



Do not fill the stove above the level shown.

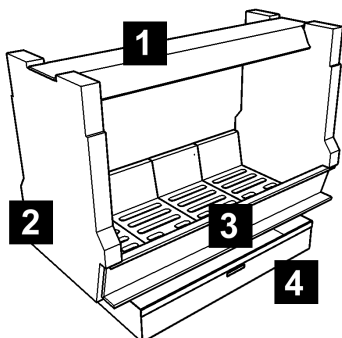
The double-sided stove has air controls on both sides. Take very great care to guard against the possibility of overheating ('overfiring') which can lead to permanent damage. Always keep the stove under close observation, especially within the first 20 minutes of lighting or refuelling.

This appliance is intended to be operated with the door closed. Open **one door only** for de-ashing or refuelling.

SPARE PARTS

Portway spares Tel. 01782 339034 Fax 01782 339028

Portway double-sided stoves use most of the same parts as standard stoves. Parts peculiar to the double-sided stove are...



- 1 Double-sided throat plate
- 2 Double-sided side liners, left or right (2)
- 3 Double-sided grate infill
- 4 Double-sided ashpan

Accessories: Touch-up paint black or charcoal - Rope seal repair kit - Canopy - Window Trellis - Leg for free-standing steel-bodied models - 150mm or 300mm high - Contemporary Door in black or charcoal paint, Arctic Grey or Ruby Red real vitreous enamel - Coal Carrier - Ash Carrier - Log Carrier - Hearth set (Poker, brush, shovel)

Also Available: Marine stoves to Boat Safety Standards. 16kW Central Heating stove with automatic control. High-performance open fires. Gas stoves.