



# Basin clicker waste unslotted

**Product Code: CB101**



Installation & User Guide

Please retain this booklet for future aftercare reference



# INSTALLATION

1. Identify all your core components and check the waste is complete.
2. Fit the unslotted waste body (4) through the waste hole in the basin, using the optional black rubber sealing washer (5), alternatively silicone sealant may be used instead. Secure the waste using the basin waste back nut (7), using the waste sealing washer (6) underneath the bath.

**NB - do not over tighten the basin waste back nut (7)**

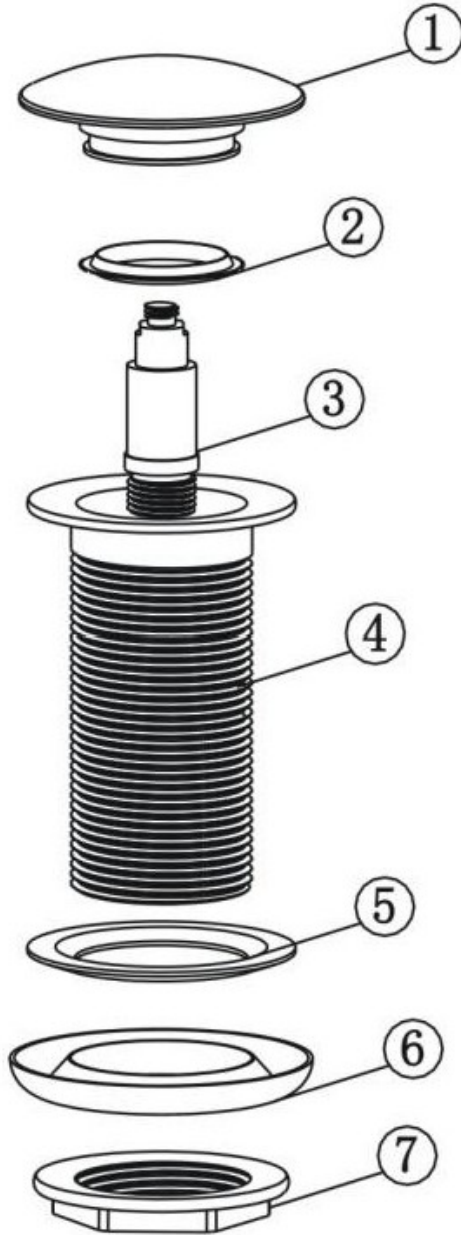
4. Check all seals and connections for leaks.
5. See over the page for aftercare instructions.

## COMPONENTS

1. WS114 DOMED PLUG FOR CB100 & CB101
2. WS109 SEALING WASHER FOR BASIN WASTE
3. WS1001 CLICKER MECHANISM FOR CB100 & CB101
4. WS135 UNSLOTTED WASTE FITTING CB101
5. WS136 WHITE RUBBER WASHER NO.5
6. WS110 RUBBER BLACK WASHER FOR BASIN CLICKER WASTE
7. WS108 BASIN WASTE BACK NUT

To order spare part please call our technical helpline on 01892611240 selecting option 2

# EXPLODED COMPONENT VIEW



## **AFTERCARE INSTRUCTIONS**

This waste fitting has a high quality finish and therefore should be treated with care to preserve the chrome plated surfaces. All surface finishes will wear if not cleaned correctly, the only safe way to clean your waste is to wipe with a soft damp cloth. Stains can be removed using a neutral washing up liquid. All bath cleaning powders and liquids will damage the surface of your fitting even the non-scratch cleaners.

## **GUARANTEE**

All products are manufactured to the highest standards and a 10-year guarantee covers any defect in manufacture. If you should experience any problems with your waste, contact our technical help line quoting the product or component code. All working parts such as seals which are subject to normal wear and tear, are covered for 12 months from proof of purchase date.

Pura Bathrooms Limited  
15 Millbrook Industrial Estate  
Crowborough  
East Sussex  
TN6 3DU

Office Tel: 01892611240  
Office Fax: 01892613000

Email: [sales@purabathrooms.com](mailto:sales@purabathrooms.com)  
[technical@purabathrooms.com](mailto:technical@purabathrooms.com)

Website: [www.purabathrooms.com](http://www.purabathrooms.com)